

T-10G-XENPAK-MM-300M

10Gbps XENPAK Multi Mode Transceiver 300m

Features

- XENPAK MSA Compliant
- Support of IEEE 802.3ae 10GBASE-SR at 10.3125Gbps
- Transmission Distance up to 300m(MMF)
- Vertical Cavity Surface Emitting Laser at 850nm
- SC Duplex Optical Connector
- Hot Pluggable 70-PIN Connector with XAUI Electrical Interface
- Management and control via MDIO 2-wire interface
- Power Supply:+3.3V, APS(+1.2V)
- Digital Diagnostic Monitoring
- Temperature Range: 0~70 °C
- RoHS compliant



Applications

- 10Gb/s Ethernet Switched and Routers
- 10GE Core-routers
- 10GE Storage
- Other 10Gbps Ethernet Transmission System

Ordering Information

Part No.	Data Rate	Fiber	Distance	Interface	Temperature	DDMI
T-10G-XANPAK-MM-300M	9.95~10.3 Gbps	MMF	850nm 300M	SC	Standard	YES

Regulatory Compliance

Feature	Agency	Standard	Certificate / Comments
Laser Safety	FDA	CDRH 21 CFR 1040 and Laser Notice No.50	1120292-000
Product Safety	UL	UL and CUL EN60950-2:2007	WT10093766-D-E-E
Environmental Protection	SGS	RoHS Directive 2002/95/EC	GZ1001008918/CHEM
EMC	WALTEK	EN55022:2006+A1:2007 EN55024:1998+A1+A2:2003	WT10093759-D-E-E

Absolute Maximum Ratings

Parameter	Symbol	Min.	Max.	Unit	Ref.
Storage Ambient Temperature Range		-40	+85	°C	Non condensing
Power Case Temperature Range		0	+70	°C	Non condensing
Adaptable Power Supply (APS)	Vapsense	0	1.5	V	Voltage@Pin APS Sense
Supply Voltage Range@3.3V	Vcc3	-0.5	4.0	V	

Any stress beyond the maximum ratings can result in permanent damage. The device specifications are guaranteed only under the recommended operating conditions.

Recommended Operating Conditions

Parameter	Symbol	Min.	Typical	Max.	Unit
Operating Case Temperature	Tc	0		+70	°C
Power Supply Voltage	Vcc3	3.14	3.3	3.47	V
	V _{APS}	1.152	1.2	1.248	
Module Power Dissipation	PD		1.7	2.4	W

Transmitter Specifications-Optical

Parameter	Symbol	Min.	Typical	Max.	Unit	Note
Operating Range				300	m	
Operating Data Rate			10.3125		Gb/s	
Average Optics Power	P _o	-6.5		-1	dBm	
Input Centre Wavelength	λ	840	850	860	nm	
Spectral Width	Δλ		0.4	0.45	dB	
Extinction Ratio	ER	3.5				
Optical Modulation Amplitude	OMA	525			μW	
Transmitter and Dispersion Penalty	TDP			3.2	dB	

Receiver Specifications-Optical

Parameter	Symbol	Min.	Typical	Max.	Unit	Note
Operating Data Rate			10.3125		Gb/s	
Average Receive Power	P _o	-9.9		-1.0	dBm	
Sensitivity in OMA	OMA ₀			-11.1	dBm	1
Stressed Sensitivity in OMA	OMA _{st}			-7.5	dBm	

Note :

1. Measured at 10.3125Gb/s, Non-framed PRBS2³¹-1, NRZ

XAUI I/O Characteristics

Parameter	Symbol	Min.	Typ.	Max	Unit	Note
XAUI Data Rate	DR		3.125		Gb/s	
XAUI Baud Rate Tolerance		-100		+100	ppm	Relative Tolerance
Differential Input Voltage Swing		220		1600	mv	8B/10B Coded Input Signal
Differential Output Voltage Swing		800		1600	mVp-p	$R_{LOAD}=100\ \Omega \pm 5\%$
Differential Input Impedance		80	100	120	Ω	
Total Output Jitter	TJXAUI			0.35	UI	No pre-equalization
Total Deterministic Output Jitter	DJXAUI			0.17	UI	No pre-equalization

Signal Specification-Electrical

Parameter	Symbol	Min.	Typ.	Max	Unit
1.2V CMOS					
Input High Voltage	VIL(MAX)			0.36	V
Input Low Voltage	VIH(MIN)	0.84		1.25	V
Capacitance				320	pF
Pull Up Resistance	Rpull	10k		22k	ohm
MDIO I/O					
Output Low Voltage	VOL	-0.3		0.2	V
Output Low Current	IOL			4	mA
Input High Voltage	VIH	0.84		1.5	V
Input Low Voltage	VIL	-0.3		0.36	V
Pull-up Supply Voltage	VPULL	1.14	1.2	1.26	
Input Capacitance	CIN			10	Pf
Load Capacitance	CLOD			470	Pf
External Pull-up Resistance	EPULL	200			Ohm

Pin Definition

Pin No	Name	Dir	Function	Notes
1	GND		Electrical Ground	1
2	GND		Electrical Ground	1
3	GND		Electrical Ground	1
4	5.0V		Power	2
5	3.3V		Power	2
6	3.3V		Power	2
7	APS=1.2V		Adaptive Power Supply	2
8	APS=1.2V		Adaptive Power Supply	2
9	LASI		Open Drain Compatible 10K-22K pull up on host. Logic High: Normal Operation Logic Low: LASI Asserted	4
10	RESET	i	Open Drain compatible. 10-22K pull-up on transceiver Logic high = Normal operation Logic low = Reset Minimum reset assert time 1 ms	4
11	VEND SPECIFIC		Vendor Specific Pin.	8

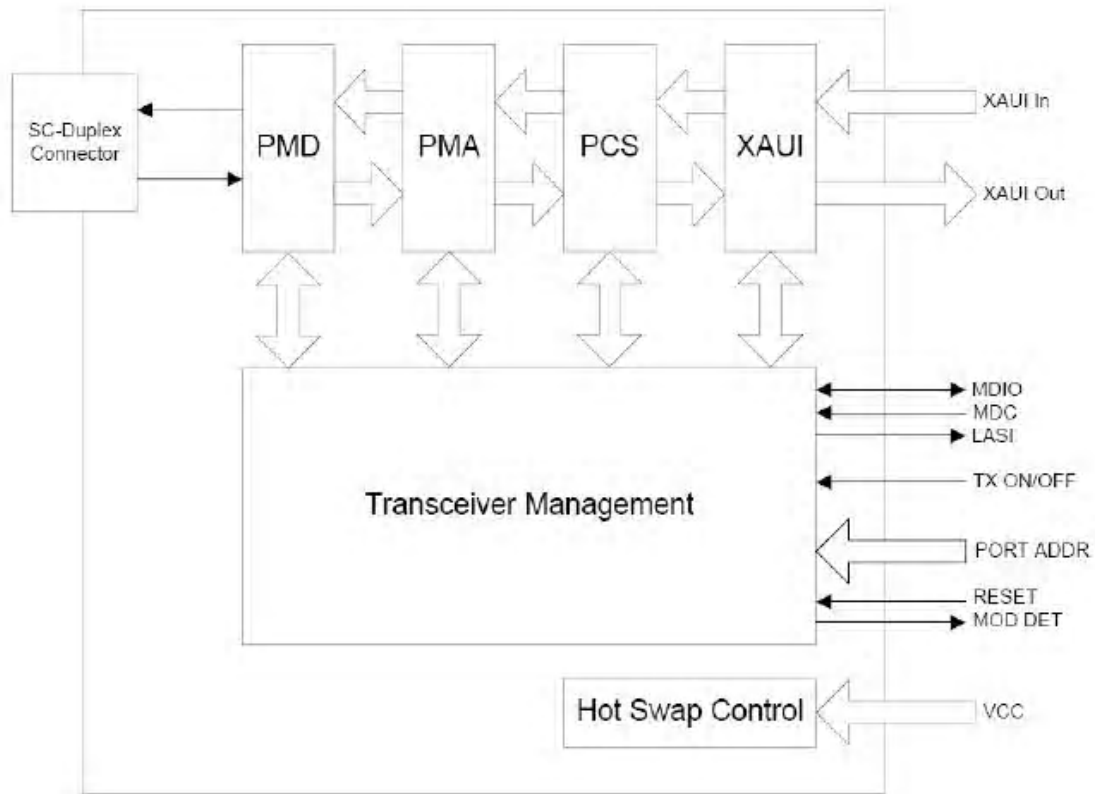
			Leave unconnected when not in use.	
12	TX ON/OFF	I	Open Drain compatible. 10-22K pull-up on transceiver Logic high = Transmitter On (capable) Logic low = Transmitter Off (always)	4
13	RESERVED		Reserved	4
14	MOD DETECT	O	Pulled low inside module through 1k	
15	VEND SPECIFIC		Vendor Specific Pin. Leave unconnected when not in use.	8
16	VEND SPECIFIC		Vendor Specific Pin. Leave unconnected when not in use.	8
17	MDIO	I/O	Management Data IO	4,5
18	MDC	I	Management Data Clock	4,5
19	PRTAD4	I	Port Address Bit 4 (Low = 0)	4
20	PRTAD3	I	Port Address Bit 3 (Low = 0)	4
21	PRTAD2	I	Port Address Bit 2 (Low = 0)	4
22	PRTAD1	I	Port Address Bit 1 (Low = 0)	4
23	PRTAD0	I	Port Address Bit 0 (Low = 0)	4
24	VEND SPECIFIC		Vendor Specific Pin. Leave unconnected when not in use.	8
25	APS SET		Feedback input for APS	
26	RESERVED		Reserved for Avalanche Photodiode use.	8
27	APS SENSE		APS Sense Connection	
28	APS=1.2V		Adaptive Power Supply	2
29	APS=1.2V		Adaptive Power Supply	2
30	3.3V		Power	2
31	3.3V		Power	2
32	5.0V		Power	2
33	GND		Electrical Ground	1
34	GND		Electrical Ground	1
35	GND		Electrical Ground	1
36	GND		Electrical Ground	1
37	GND		Electrical Ground	1
38	RESERVED		Reserved	
39	RESERVED		Reserved	
40	GND		Electrical Ground	1
41	RX LANED+	O	Module XAUI Output Lane 0+	7
42	RX LANED-	O	Module XAUI Output Lane 0-	7
43	GND		Electrical Ground	1
44	RX LANE1+	O	Module XAUI Output Lane 1+	7

45	RX LANE1-	O	Module XAUI Output Lane 1-	7
46	GND		Electrical Ground	1
47	RX LANE2+	O	Module XAUI Output Lane 2+	7
48	RX LANE2-	O	Module XAUI Output Lane 2-	7
49	GND		Electrical Ground	1
50	RX LANE3+	O	Module XAUI Output Lane 3+	7
51	RX LANE3-	O	Module XAUI Output Lane 3-	7
52	GND		Electrical Ground	1
53	GND		Electrical Ground	1
54	GND		Electrical Ground	1
55	TX LANE 0+	I	Module XAUI Input Lane 0+	7
56	TX LANE 0-	I	Module XAUI Input Lane 0-	7
57	GND		Electrical Ground	1
58	TX LANE 1+	I	Module XAUI Input Lane 1+	7
59	TX LANE 1-	I	Module XAUI Input Lane 1-	7
60	GND		Electrical Ground	1
61	TX LANE2+	I	Module XAUI Input Lane 2+	7
62	TX LANE2-	I	Module XAUI Input Lane 2-	7
63	GND		Electrical Ground	1
64	TX LANE3+	I	Module XAUI Input Lane 3+	7
65	TX LANE3-	I	Module XAUI Input Lane 3-	7
66	GND		Electrical Ground	1
67	RESERVED		Reserved	
68	RESERVED		Reserved	
69	GND		Electrical Ground	1
70	GND		Electrical Ground	1

Notes:

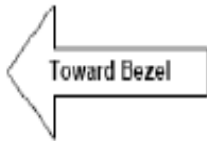
- 1) Ground connections are common for TX and RX.
- 2) All connector contacts are rated at 0.5A nominal.
- 4) 1.2V CMOS compatible.
- 5) MDIO and MDC timing must comply with IEEE802.3ae, Clause 45.3
- 7) XAUI output characteristics should comply with IEEE802.3ae Clause 47.
- 8) Transceivers will be MSA compliant when no signals are present on the vendor specific pins.

Functional Diagram of Typical XENPAK Style Transceiver

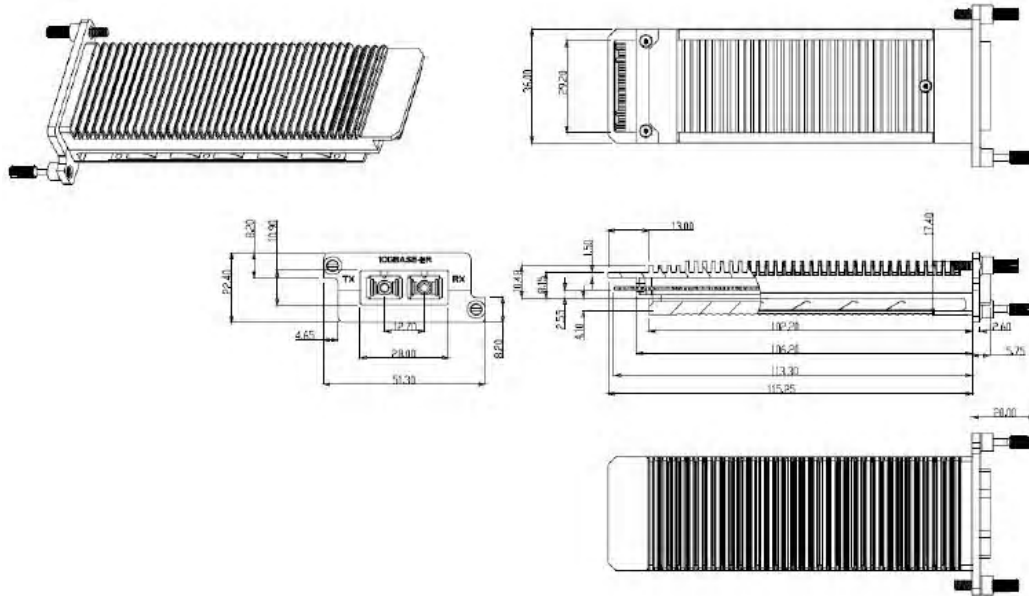


Electrical Pin-out Details

70	GND	1	GND
69	GND	2	GND
68	RESERVED	3	GND
67	RESERVED	4	5.0V
66	GND	5	3.3V
65	TX LANE3-	6	3.3V
64	TX LANE3+	7	APS
63	GND	8	APS
62	TX LANE2-	9	LAS1
61	TX LANE2+	10	RESET
60	GND	11	VEND SPECIFIC
59	TX LANE1-	12	TX ON/OFF
58	TX LANE1+	13	RESERVED
57	GND	14	MOD DETECT
56	TX LANE0-	15	VEND SPECIFIC
55	TX LANE0+	16	VEND SPECIFIC
54	GND	17	MDIO
53	GND	18	MDC
52	GND	19	PRTAD4
51	RX LANE3-	20	PRTAD3
50	RX LANE3+	21	PRTAD2
49	GND	22	PRTAD1
48	RX LANE2-	23	PRTAD0
47	RX LANE2+	24	VEND SPECIFIC
46	GND	25	APS SET
45	RX LANE1-	26	RESERVED
44	RX LANE1+	27	APS SENSE
43	GND	28	APS
42	RX LANE0-	29	APS
41	RX LANE0+	30	3.3V
40	GND	31	3.3V
39	RESERVED	32	5.0V
38	RESERVED	33	GND
37	GND	34	GND
36	GND	35	GND



Mechanical Specification



Notice:

T-TECH reserves the right to make changes to or discontinue any optical link product or service identified in this publication, without notice, in order to improve design and/or performance. Applications that are described herein for any of the optical link products are for illustrative purposes only. T-TECH makes no representation or warranty that such applications will be suitable for the specified use without further testing or modification.

Contact:

E-mail: sales@t-techvip.com

<http://www.t-techvip.com>